

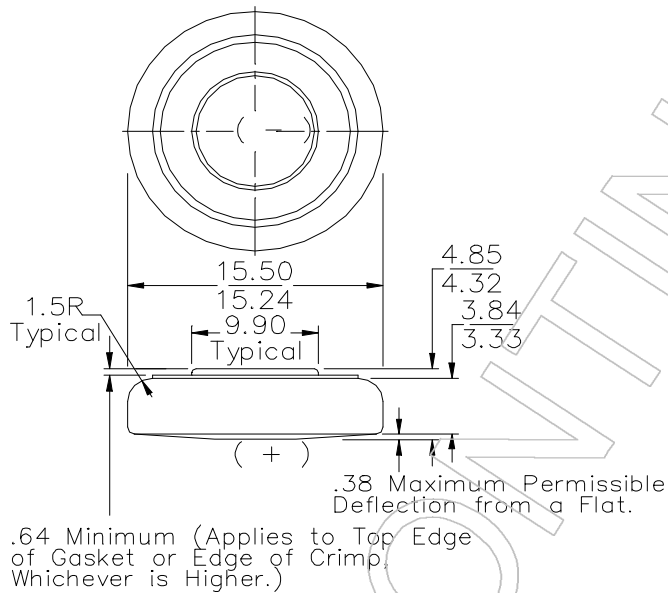


Eveready Battery Company, Inc.

Checkerboard Square
St. Louis, MO 63164
Telephone 1-800-383-7323
Internet: www.energizer.com

Engineering Data

ENERGIZER NO. 355



Chemical System: Silver Oxide (Zn/Ag 0)

Designation: ANSI / NEDA-1140S0

Voltage: 1.5V

Average Service Capacity (to 1.3 volts): 240 mAh

(Rated Capacity at 6.5K ohms continuous @ 21°C)

Typical Weight: 3.69 grams (.13 oz.)

Volume: .92 cubic centimeters (0.06 cubic in.)

Dimensions (mm)

Millimeters	Inches
0.38	0.015
0.64	0.025
1.50	0.059
3.33	0.131
3.84	0.151
4.32	0.170
4.85	0.191
9.90	0.390
15.24	0.600
15.50	0.610

IMPORTANT NOTICE

This data sheet contains information specific to batteries manufactured at time of its publication. Please contact your Energizer representative for most current information. Contents herein do not constitute a warranty.